

Description

apogeeLAB has created a PCB with a special configuration with two AD825, for the output stage low signals, like a CD Player, DAC, USB DAC etc. All of this in just 12 mm x 22.5mm. The pin out available is compatible with the standard in use.

Product Features

- High Speed, 41 MHz
- Input bias current of 20 pA and noise current of 10 fA/ $\sqrt{\text{Hz}}$
- Fully specified power supplies: ± 5 V to ± 15 V
- Low distortion: -76 dB at 1 MHz
- High output drive capability
- No phase reversal when input is at rail

General Description

The AD825 is a superbly optimized operational amplifier for high speed, low cost and dc parameters, making it ideally suited for a broad range of signal conditioning and data acquisition applications. The ac performance, gain, bandwidth, slew rate and drive capability are all very stable over temperature. The AD825 also maintains stable gain under varying load conditions. The unique input stage has ultralow input bias current and ultralow input current noise. Signals that go to either rail on this high performance input do not cause phase reversals at the output. The AD825 is fully specified for operation with dual ± 5 V and ± 15 V supplies. This power supply flexibility, and the low supply current of 6.5 mA with excellent ac characteristics under all supply conditions, makes the AD825 well suited for many demanding applications.

Absolute Maximum Ratings

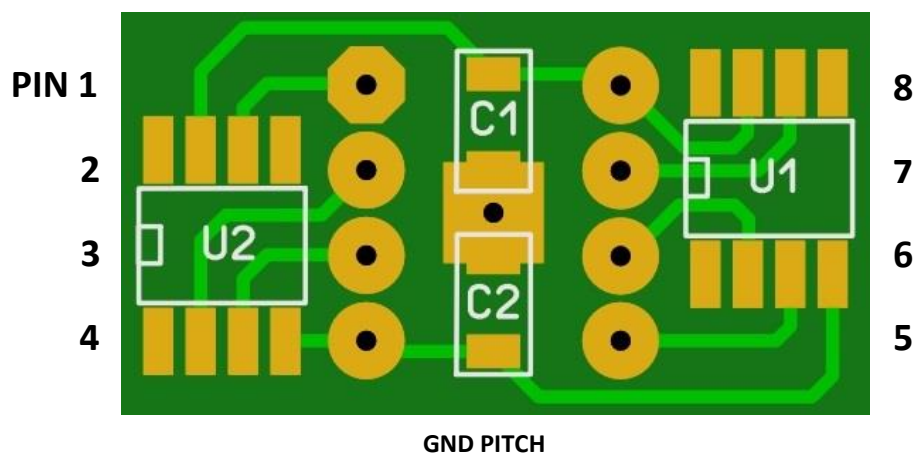
Symbol	Parameter	Condition	Rating	Unit	Notes
Vdc max	Supply Voltage	ICM – V1.0	+/-18	Vdc	
Str	Storage Temperature range	ICM – V1.0	-65°C to 125°C	°C	
Temp	Operating Temperature	ICM – V1.0	-40°C to 85°C	°C	

Performance Characteristics

For the other features of the Ad825, consult the manufacture's datasheet.

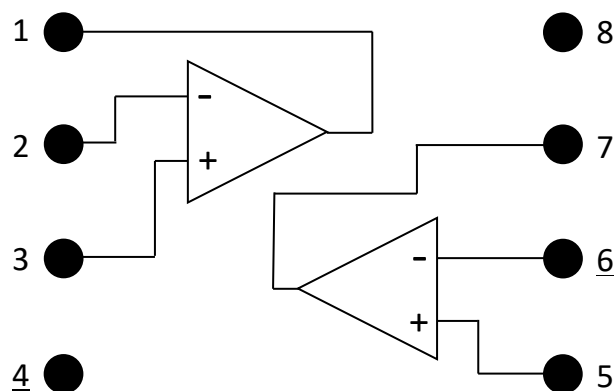
Mechanical Information

All dimensions are in millimeters (12 mm x 22.5 mm). Pin number one, is marked by a hexagonal pitch, top left.



Connector Configuration

PIN No.	Label
1	Output 1
2	-IN 1
3	+IN 1
4	-Vs common
5	+IN 2
6	-IN 2
7	Output 2
8	+Vs common



Important Notice

The information contained herein is believed to be accurate and reliable. **ApogeeLAB** makes no warranties and assumes no liability or responsibility regarding the information herein. The information provided herein is provided "AS IS" and the risks with this information are entirely on the user. All information contained herein is subject to change without notice, and customers should always verify the latest information / datasheet with **ApogeeLAB**. Intellectual property rights are granted by this document. **ApogeeLAB** products are not warranted, authorized, or intended for use as critical components in medical, life saving or sustaining applications, or any other application where a failure would reasonably be expected to cause severe injury or death.